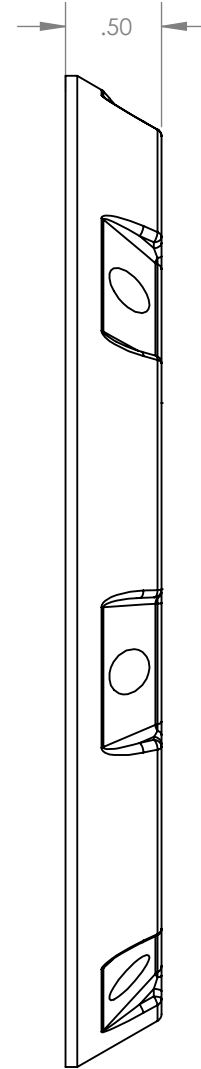
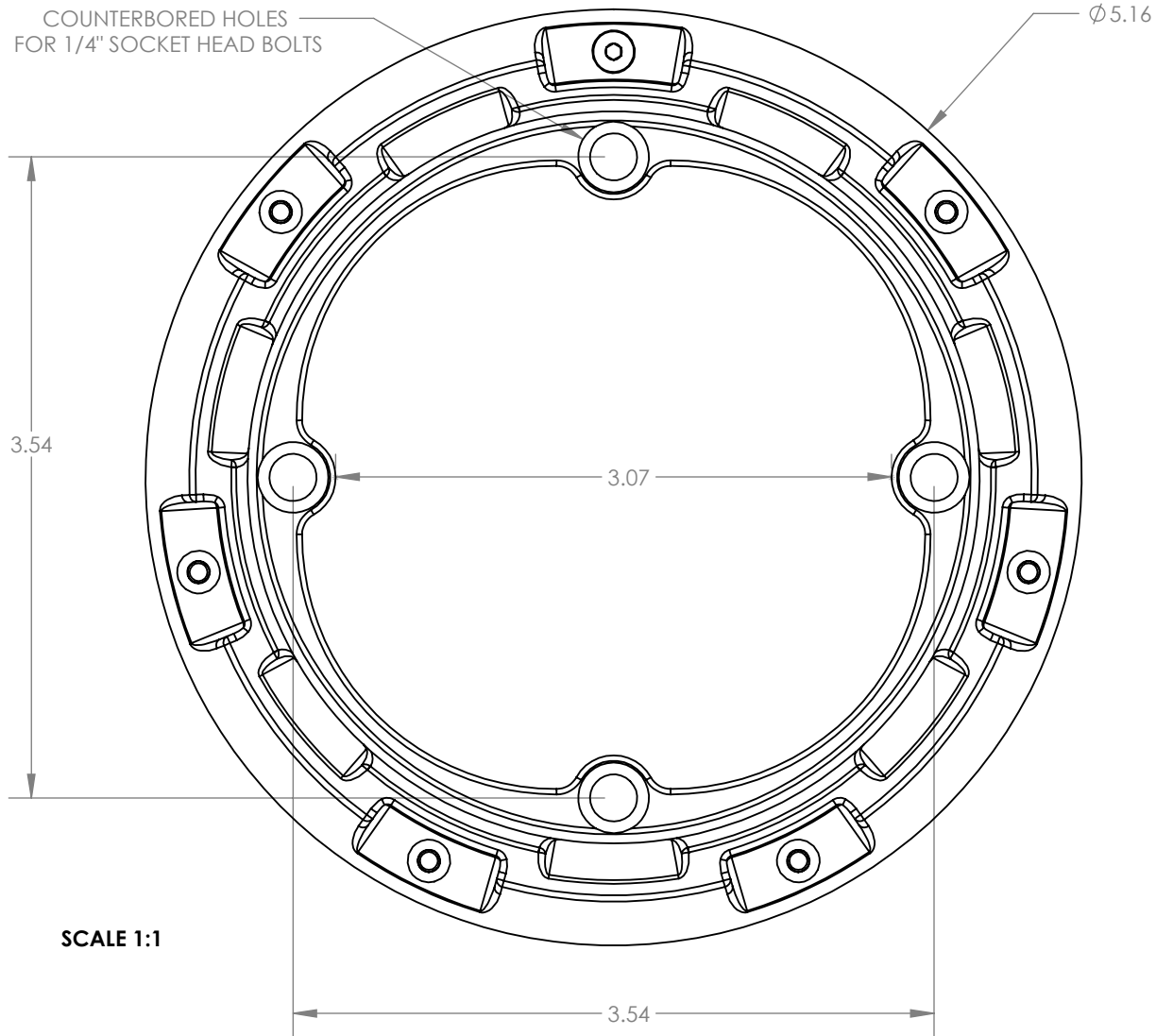


COUNTERBORED HOLES FOR 1/4" SOCKET HEAD BOLTS



SCALE 1:1

PROPRIETARY AND CONFIDENTIAL

THE INFORMATION CONTAINED IN THIS DRAWING IS THE SOLE PROPERTY OF PHANTOM PRODUCTS, LLC. ANY REPRODUCTION IN PART OR AS A WHOLE WITHOUT THE WRITTEN PERMISSION OF PHANTOM PRODUCTS, LLC. IS PROHIBITED.

INTERPRET GEOMETRIC TOLERANCING PER: ASME Y14.5 - 2009

MATERIAL ALUM

FINISH

COMMENTS:

UNLESS OTHERWISE SPECIFIED:

DIMENSIONS ARE IN INCHES
TOLERANCES:
 FRACTIONAL $\pm 1/64$
 ANGULAR: $\pm 1^\circ$
 TWO PLACE DECIMAL $\pm .01$
 THREE PLACE DECIMAL $\pm .005$

DESIGNED BY: C.MOUDY

APPROVED BY M.BOWLER



TITLE **ROUND SHIFTER BEZEL**

SIZE	Part or Serial #	REV
A		
SCALE: 1:4	WEIGHT:	SHEET 1 OF 1